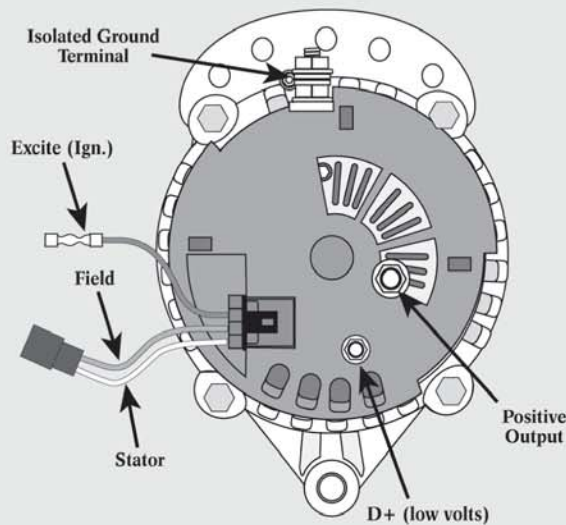
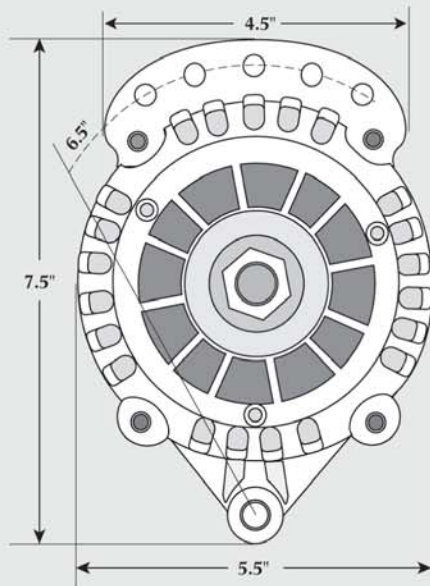


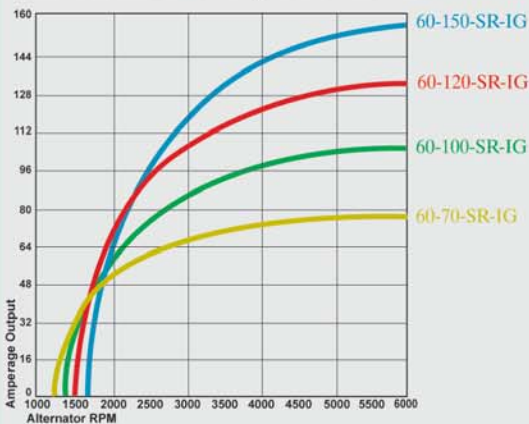
BALMAR®

6-Series Alternators

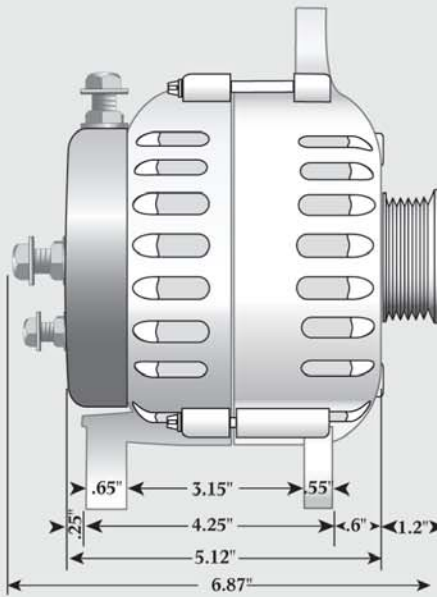
Balmar's new 6 Series alternators deliver a superior combination of cooling and high amperage output, making it a perfect upgrade for lesser-performing OEM alternators. Dual internal fans provide exceptional airflow. Extra-large bearings, heavy duty diodes and stout stator windings ensure performance at rotor speeds to 15,000 rpm. "D+" (rectifier trio) circuitry. Smart Ready™ internal regulator provides alternator pre-test capability on the engine factory floor, and a dependable "get you home" back-up at the consumer level. Isolated ground terminal provides sure, dependable connection at system negative. Meets USCG, ISO, SAE & CE standards for ignition protection. Available in 12-volt and 24-volt models. For more info, visit www.balmar.net.



Alternator Output Curves



3.15" Saddle Mount Shown
Single, Dual & Multi-Groove Pulleys Available



Available Mounts

- 1" Single Foot
- 2" Single Foot
- 3.15" Saddle Mt.
- 4" Saddle (J-180)

12-Volt Models

- 70-Amp
- 100-Amp
- 120-Amp
- 150-Amp

24-Volt Models

- 70-Amp

Features

Patented Smart Ready™ single-stage internal regulation with simple plug in terminal for smart external regulation

Dual internal fans for improved cooling

Large 8mm positive and negative terminal studs support large marine cable

D+ (low voltage) circuit compatible with many system charge lamps

High amperage diodes

Corrosion-resistant white powdercoat finish

Meets USCG, CE and J1171 standards for gas or diesel engines

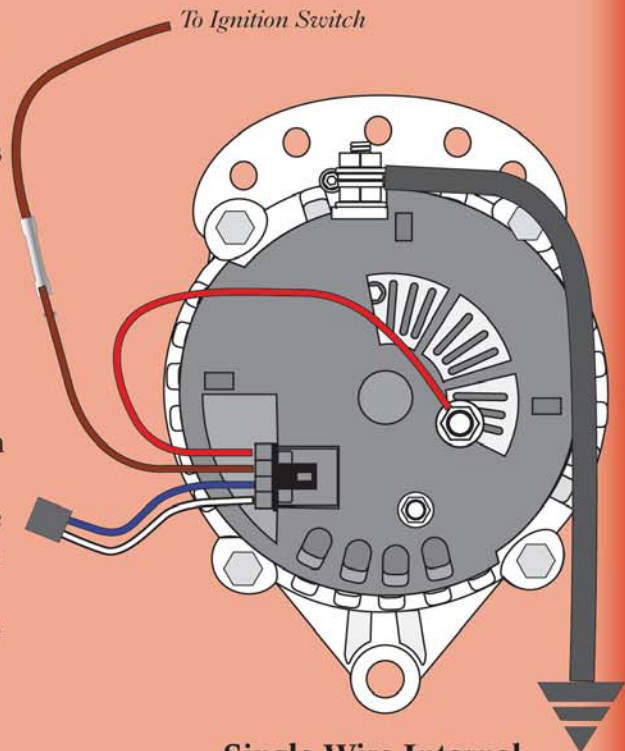
BALMAR®

6 Series Smart Ready™ Information

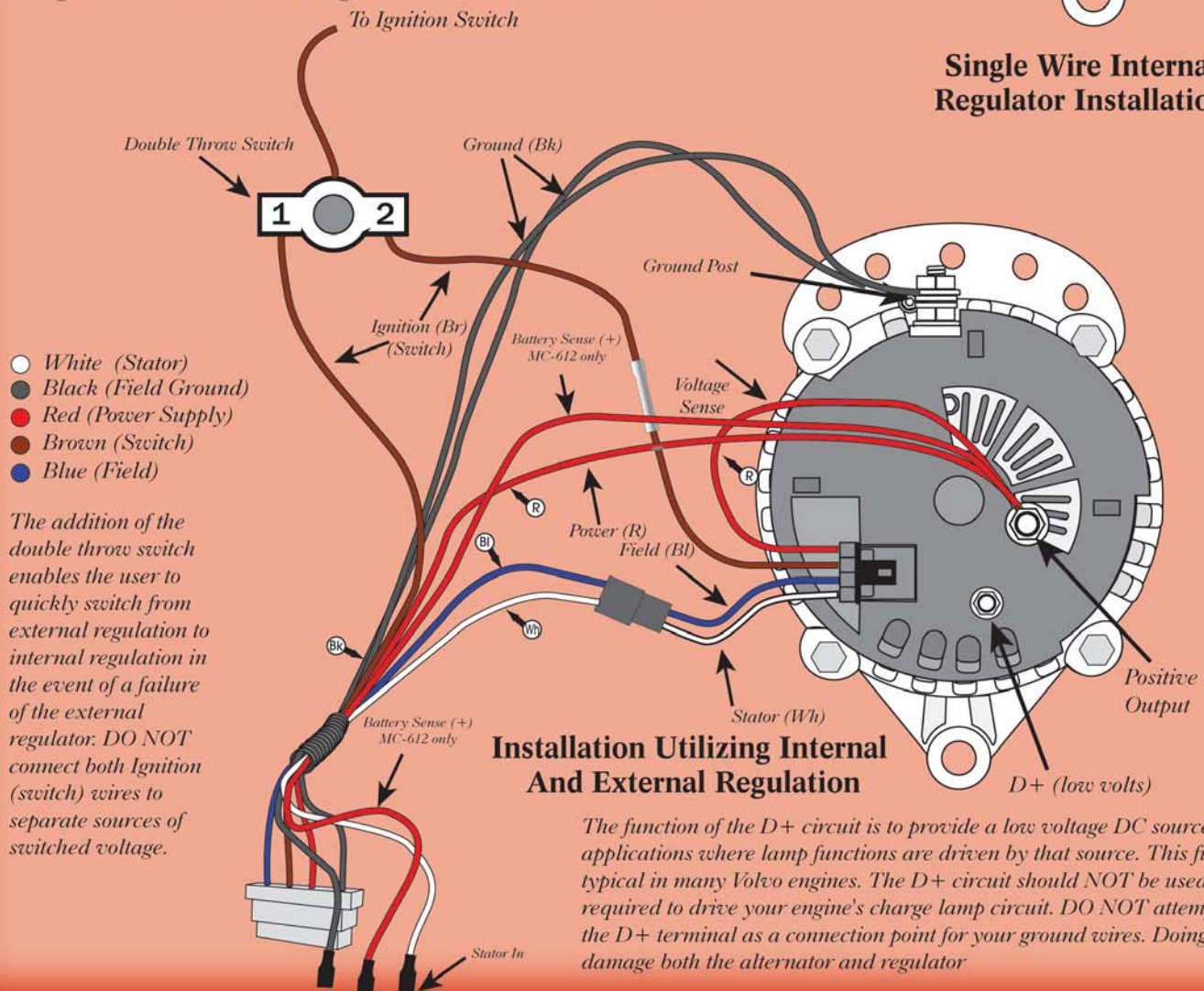
New 6-Series Smart Ready™ internally regulated alternators combine the price and ease of installation necessary to meet your bottom line AND the high-output performance your customers want. For the engine distributor and boatbuilder, installation can't be simpler ... one wire to switched voltage is all it takes to make the alternator test-ready. No external regulator is required.

Once the system is in the boat, the customer can choose between the Smart Ready™ internal regulator, or the additional charging efficiency of a smart multi-stage Max Charge or ARS-4 external regulator.

When connecting the "Smart Ready" regulator in conjunction with the external multi-stage regulator, we recommend the use of a double throw switch to direct switched voltage to the brown (ignition) wires in the regulator wiring harness and in the alternator wiring plug. This provides an key safety element for ocean voyaging. For additional wiring details, see wiring instructions in the regulator's installation manual.



Single Wire Internal Regulator Installation



Installation Utilizing Internal And External Regulation

The function of the D+ circuit is to provide a low voltage DC source in applications where lamp functions are driven by that source. This function is typical in many Volvo engines. The D+ circuit should NOT be used unless required to drive your engine's charge lamp circuit. DO NOT attempt to use the D+ terminal as a connection point for your ground wires. Doing so could damage both the alternator and regulator.

For more information, visit www.balmar.net